

MOUNTING REFERENCE GUIDE

# GE Monitoring

CIM Cable Integrated Mounting System



THINK BEFORE  
YOU PRINT



# Content

<b>General notes</b>	<b>3</b>
<b>How to create part numbers</b>	<b>4</b>
<b>Product highlights</b>	<b>6</b>
<b>Solutions for CARESCAPE Canvas</b>	<b>7</b>
<b>Mounting kit for CARESCAPE Canvas with down post modul box</b>	<b>8</b>
<b>Mounting kit for CARESCAPE Canvas with wall mounted modul box</b>	<b>10</b>
<b>Mounting kit for CARESCAPE Canvas with CARESCAPE ONE down post</b>	<b>12</b>
<b>Fixing for Frame F2 / F5 / Canvas</b>	<b>14</b>
<b>Cable hook for adaption modul box</b>	<b>15</b>
<b>Accessories for CARESCAPE Canvas</b>	<b>16</b>
<b>Light duty kit for CARESCAPE Canvas</b>	<b>17</b>
<b>Solutions for CARESCAPE ONE</b>	<b>19</b>
<b>Flush mount</b>	<b>20</b>
<b>Support arm pivot</b>	<b>22</b>
<b>Extended pivot arm light duty</b>	<b>24</b>
<b>Height adjustable arm</b>	<b>26</b>
<b>Extended height adjustable arm</b>	<b>28</b>
<b>Counter top</b>	<b>30</b>
<b>Cart light duty</b>	<b>32</b>
<b>Accessories for CARESCAPE ONE</b>	<b>34</b>
<b>Solutions for CARESCAPE B105 / B125 / B450 / B650</b>	<b>35</b>
<b>Mounting adapter</b>	<b>36</b>
<b>Fixings</b>	<b>37</b>

## General notes

---

### Monitor Adaptations

The various GE monitors require different monitor presentations: For **CARESCAPE B105/ B125/ B450/ B650** all mounting solutions with 5" plunge plate are suitable. Please refer to the mounting reference guide for 5" plunge plate solutions.

**CARESCAPE ONE**, **sensor holder** and **docking station** require a CARESCAPE ONE specific mounting adapter.

### Components' grounding

All arms with integrated cable management are equipped with **component grounding**. No grounding is required for arms with external or semi-integrated cable management with cables not being led through joints.

### Load capacity

All **height adjustable arms** have a load capacity of 22 kg / 48.5 lbs. Rear mounted monitor adaptations and horizontally mounted 5" plunge plates accept a maximum monitor weight of 18 kg / 39.7 lbs. An additional 4 kg / 8.8 lbs may be mounted on a down post underneath the front swivel part. Depending on material and tensile factor all weight indications have a 4-fold and/ or 6-fold safety factor according to IEC 60601-1 standards.

### Custom-designed solutions and MRI applications

Please contact us for **custom-designed** solutions.

### Product marking

All products which are classified as medical product risk class 1 are CE marked. As **medical product risk class 1** they are conform with the regulations (EU) 2017/745 (MDR) and IEC 60601-1. Other standards of the IEC 60601 series are not applicable to our products, regardless of their version.

**MD** A stand-alone product that is already classified as a medical product class 1 before being integrated into an overall medical device. The product is CE-marked. A declaration of conformity is available.

~~MD~~ Accessories or spare parts that have no independent function and are therefore not subject to the MDR. These products are not CE-marked. A declaration of conformity is not required.

### Warranty

All CIM products have a 5-year warranty to be free of defects in material and functionality from the date of delivery.



# How to create part numbers

Part numbers can be easily created by following the steps below:

Please replace the letters in **green** with the part no. code as per your requirements.

## 1. Components' grounding:

S	=	not grounded
A	=	grounded

## 2. Choose the arm version required:

431G	=	height adjustable arm
910GE	=	flush mount
224GE / 230GE	=	support arm pivot
33030GE	=	extended pivot arm light duty
431GE	=	height adjustable arm
73130GE	=	extended height adjustable arm

## 3. Specify where you want to mount the arm and select the fixing (Y):

1V	=	pole ø 23 - 40 mm / 0.9 - 1.6"
1	=	pole ø 25 mm / 1.0"
1B	=	pole ø 30 mm / 1.2"
1F	=	pole ø 35 mm / 1.4"
1C	=	pole ø 38 mm / 1.5"
2F	=	horizontal rails 10 x 25, 8 x 35, 10 x 30, 10 x 50 mm
3	=	vertical rail 10 x 25 mm
4S	=	vertical wall channel
9	=	Löwenstein Medical / ITD / mounting channel
13	=	Mindray medical supply units
17	=	Amico pendants & headwalls

## How to create part numbers

### 4. Choose the colour requested for decorative parts (C):

gr = RAL 7024 (graphite grey)  
 bl = RAL 5013 (cobalt blue)

### 5. Choose the colour requested for the aluminium die-cast parts (D):

1 = RAL 9016 (traffic white)  
 2 = RAL 9002 (grey white)

### 6. Specify the spring depending on the weight of your monitor/ device - only with height adjustable arms (X):

60 = 2 - 5 kg / 4.4 - 11 lbs  
 130 = 7.5 - 13 kg / 16.5 - 28.7 lbs  
 160 = 12.5 - 19 kg / 27.6 - 41.9 lbs

## Example

01 Grounding	02 Arm version	03 Fixing	04 & 05 Colour	06 Spring tension
A	- 431GE	- Y	. CD	- X
A	- 431GE	- 4S	. gr1	- 60

## How to find the right product for your needs?

No problem with our configurator

<https://cim-configurator.com>



## Product highlights

---

### Non-height adjustable arm

Pivot and extended pivot arms offer **full cable integration** and easy cleaning for **infection control** in all critical care areas in the clinical environment. Our **5-years warranty** guarantees reliable, trouble-free and maintenance-free operation. The swivel function at the fixing point as well as the **tilt/ swivel function** of the monitor adaptation offers optimum positioning of your device. The extended pivot arm is a two-part arm with central pivot point between the two arm sections. All bottom-mounted monitors have the safety feature of a **20° tilt stop**.

### Height adjustable arm

The height adjustable arm offers **full cable integration**, one-wipe clean surfaces and our **5-year warranty** on the entirety of the product. Vertically and horizontally adjustable, the arm offers optimal positioning of your device. A constant viewing angle when vertically adjusted is guaranteed by a parallel linkage. **Weight-optimized springs counter-balance** the monitor without making any adjustments. All bottom-mounted monitors have the safety feature of a **20° tilt stop**. Individual rotational stops may be integrated in any joint.

To provide the perfect combination of arm and monitor, the CIM articulated height adjustable arm has a simple quarter-turn lock to hold the arm safely in position when removing the monitor. Furthermore the arm is equipped with the unique safety feature of a slow-release gas spring. Should anybody try to remove the monitor before locking the arm in position, the arm will only rise at a slow and even tempo.

**SAFETY**

# Solutions for CARESCAPE Canvas



# Mounting kit for CARESCAPE Canvas with down post modul box

**MD**



**Monitor adaption**

VESA 75

**Colours to choose C**

Decorative parts RAL 5013 cobalt blue / RAL 7024 graphite grey  
 Aluminum parts RAL 9016 traffic white

**Kit number**

**P-GE-0001-4S.C1\_160**

Consisting of the following parts:

- A-431G-4S.C1\_160 Height adjustable arm, VESA 75/100, adapter vertical wall channel
- Z-HDG.1\_43 Dual handle with VESA fixing
- GE-MB-DPR-71.1\_150 C-bracket for Frame F2 / F5 / Canvas with rotatable down post, L 150 mm / 5.9"
- GE-KH3-MB-DPR.1 Triple cable hook

Please order the wall channel separately. Catalogue: Accessories

The 1600 N gas spring is counter-balanced for the mounting kit shown. Any changes in the configuration may require a different gas spring.

For alternative fixings to mount the assembly to poles or rails please see page 37.

Alternative support arm options in the catalogue: VESA 75/100 adaptation

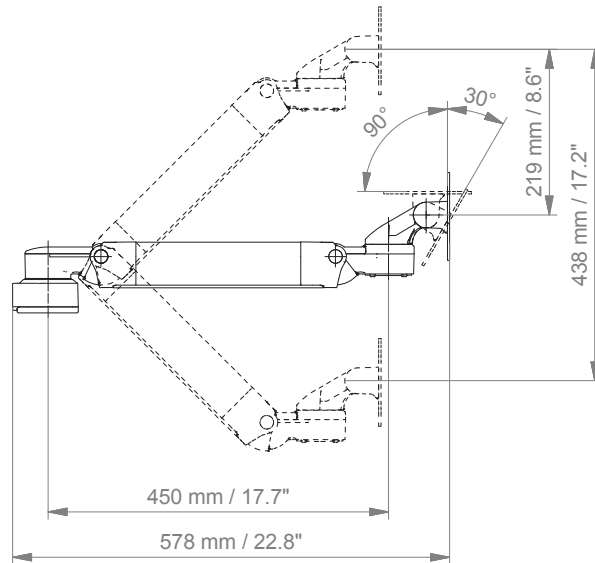


# Mounting kit for CARESCAPE Canvas with down post modul box

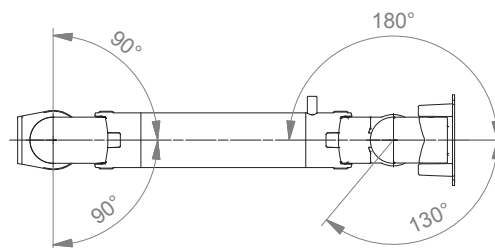
## Technical data

---

### SIDE VIEW



### TOP VIEW



# Mounting kit for CARESCAPE Canvas with wall mounted modul box

MD



**Monitor adaption** VESA 75

**Colours to choose C** Decorative parts RAL 5013 cobalt blue / RAL 7024 graphite grey  
Aluminum parts RAL 9016 traffic white

**Kit number** **P-GE-0002-4S.C1\_130**

Consisting of the following parts:

A-431G-4S.C1_130	Height adjustable arm, VESA 75/100, adapter vertical wall channel
Z-HDG.1_43	Dual handle with VESA fixing
GE-MB-4.1	L-bracket for Frame F2 / F5 / Canvas
GE-KH3-MB.1	Tribble cable hook

Please order the wall channel separately. Catalogue: Accessories

The 1300 N gas spring is counter-balanced for the mounting kit shown. Any changes in the configuration may require a different gas spring.

For alternative fixings to mount the assembly to poles or rails please see page 37.

Alternative support arm options in the catalogue: VESA 75/100 adaptation



# Mounting kit for CARESCAPE Canvas with CARESCAPE ONE down post

MD



**Monitor adaption** VESA 75

**Colours to choose C** Decorative parts RAL 5013 cobalt blue / RAL 7024 graphite grey  
 Aluminum parts RAL 9016 traffic white

**Kit number** **P-GE-0003-4S.C1\_130**

Consisting of the following parts:

- A-431G-4S.C1\_130 Height adjustable arm, VESA 75/100, adapter vertical wall channel
- Z-HDG.1\_43 Dual handle with VESA fixing
- Z-KH6-71.1\_300 Down post with cable hook, L 300 mm /11.8"
- Z-GE-1.1 Adapter for CARESCAPE ONE

Please order the wall channel separately. Catalogue: Accessories

The 1300 N gas spring is counter-balanced for the mounting kit shown. Any changes in the configuration may require a different gas spring.

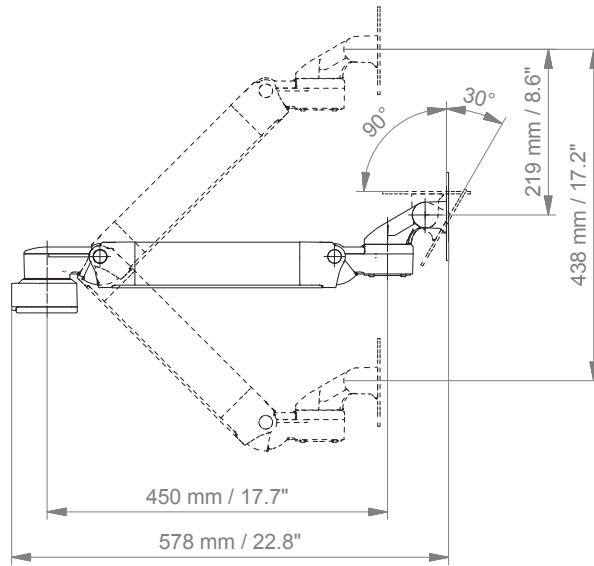
For alternative fixings to mount the assembly to poles or rails please see page 37.

Alternative support arm options in the catalogue: VESA 75/100 adaptation

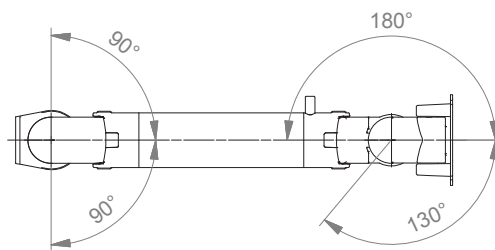
# Mounting kit for CARESCAPE Canvas with CARESCAPE ONE down post

## Technical data

### SIDE VIEW



### TOP VIEW



## Fixings for Frame F2 / F5 / Canvas

Illustration	Description	Part no.	
	<b>L-Bracket for Frame F2 / F5 / Canvas</b> Without fixing	GE-MB-0.1	
	<b>L-Bracket for Frame F2 / F5 / Canvas</b> Fixing: fixed pole clamp to mount to pole $\varnothing$ 38 mm / 1.5"	GE-MB-1C.1	
	<b>L-Bracket for Frame F2 / F5 / Canvas</b> Fixing: adapter for vertical wall channel H 80 mm / 3.2"	GE-MB-4.1	
	<b>L-Bracket for Frame F2 / F5 / Canvas</b> Fixing: horizontal rail clamp to mount to horizontal European rails 10 x 25, 8 x 35, 10 x 30, 10 x 50 mm	GE-MB-6L.1	
	<b>C-Bracket for Frame F2 / F5 / Canvas</b> L 150 mm / 5.9" For non-height adjustable arms For height adjustable arms	GE-MB-DPR-70.1_150 GE-MB-DPR-71.1_150	

## Cable hooks for adaption modul box

Illustration	Description	Part no.	
	Dual cable hook for GE-MB-DPR	GE-KH2-MB-DPR.1	<del>MD</del>
	Tribble cable hook for GE-MB-DPR	GE-KH3-MB-DPR.1	<del>MD</del>
	Dual cable hook for GE-MB	GE-KH2-MB.1	<del>MD</del>
	Tribble cable hook for GE-MB	GE-KH3-MB.1	<del>MD</del>

## Accessories for CARESCAPE Canvas

Illustration	Description	Part no.	
	<p><b>Dual handle for VESA monitors</b></p>	Z-HDG.1_43	
	<p><b>Down post, rotatable with cable hook</b>            For height adjustable arms:            L 300 mm/ 11.8",            max. load 10 kg/ 22 lbs</p>	Z-KH6-71.1_300	
	<p><b>Adapter for CARESCAPE ONE</b></p>	Z-GE-1.1	



# Cart light duty kit for CARESCAPE Canvas

MD



**Monitor adaption**

CL-bracket, VESA 75/100 with tilt function

**Accessories**

5-star base aluminum base with counter weight  
 Double wheel castors, ø 100 mm / 3.9", 5 lockable  
 Column to accept components and accessories on opposite sides

**Colours**

Decorative parts RAL 5013 cobalt blue  
 Base RAL 9016 traffic white  
 Handle RAL 9016 traffic white

**Maximum load monitor adaption**

7.5 kg / 16.5 lbs

**Maximum load F2 Canvas**

4.7 kg / 10.4 lbs

**Maximum load basket**

10 kg / 22 lbs

**Kit number**

**GE-002CAN-01.b11**

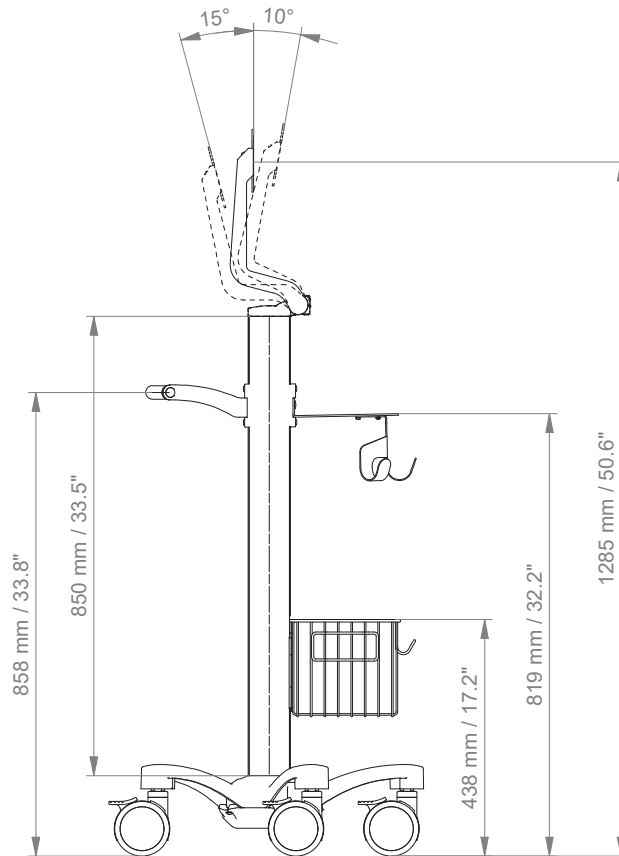
Consisting of the following parts:

- R-002K.b11 cart light duty
- Z-HD-4.b11 handle for carts
- Z-51-4Z basket big 300 x 200 x 180 mm / 11.8 x 7.9 x 7.1"
- GE-MB-4.1 L-bracket for Frame F2 / F5 / Canvas with adapter vertical wall channel
- GE-KH3-MB.1 Triple cable hock

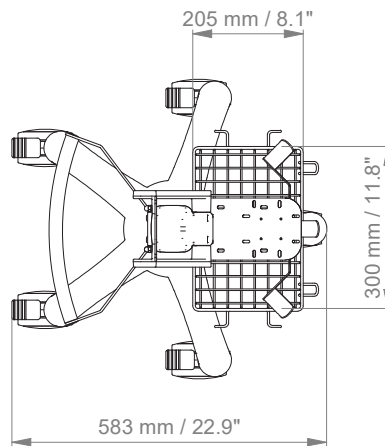
# Cart light duty kit for CARESCAPE Canvas

## Technical data

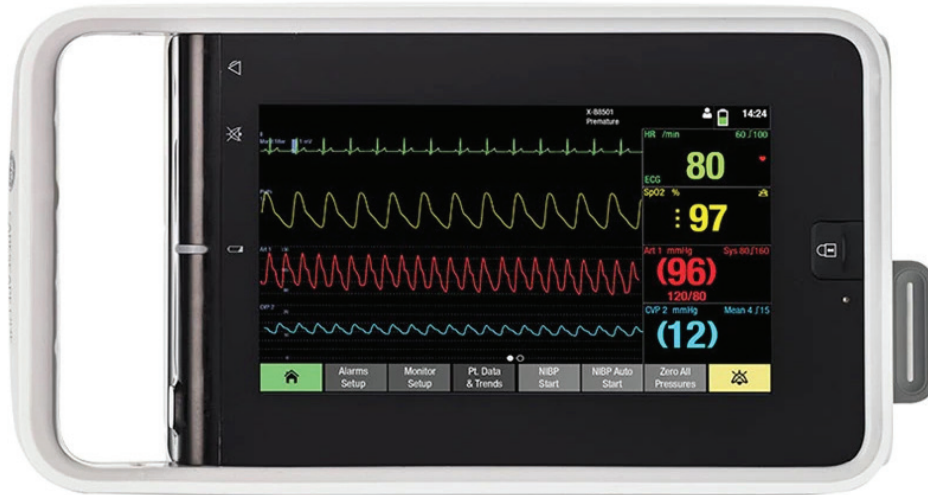
### SIDE VIEW



### TOP VIEW



## Solutions for CARESCAPE ONE



# Flush mount

**MD**



**Monitor adaption**

GE CARESCAPE ONE adaption

**Colours to choose** **CD**

Decorative parts RAL 5013 cobalt blue / RAL 7024 graphite grey  
 Aluminum parts RAL 9016 traffic white / RAL 9002 grey white

**Max. load capacity support arm**

18 kg / 39.7 lbs

**Max. load monitor adaptation**

18 kg / 39.7 lbs

**Product weight**

0.8 kg / 1.8 lbs

**Part number**

S-910GE-Y.CD

**Fixings Y**

details page 37



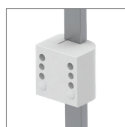
4S

Adapter for vertical wall channel



2F

Horizontal rail clamp



3

Vertical rail clamp



1V

Universal pole clamp



1  
1B  
1F  
1C

Fixed pole clamp



13

Adapter for Mindray medical supply units



17

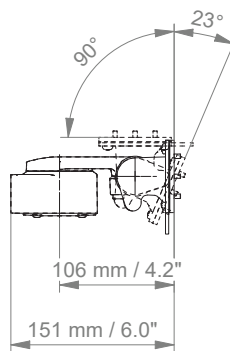
Adapter for Amico pendants & headwalls

# Flush mount

## Technical data

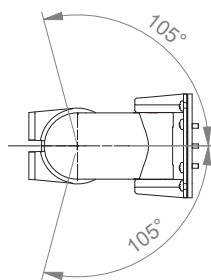
---

### SIDE VIEW



---

### TOP VIEW



# Support arm pivot



**Monitor adaption**

GE CARESCAPE ONE adaption

**Colours to choose** **CD**

Decorative parts RAL 5013 cobalt blue / RAL 7024 graphite grey  
 Aluminum parts RAL 9016 traffic white / RAL 9002 grey white

**Max. load capacity support arm**

18 kg / 39.7 lbs

**Max. load monitor adaptation**

18 kg / 39.7 lbs

**Product weight**

arm type 240	arm type 300
1.6 kg / 3.5 lbs	1.7 kg / 3.7 lbs

**Part number**

arm type 240	arm type 300
A-224GE-Y.CD	A-230GE-Y.CD

**Fixings Y**

details page 37



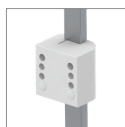
4S

Adapter for vertical wall channel



2F

Horizontal rail clamp



3

Vertical rail clamp



1V

Universal pole clamp



1  
1B  
1F  
1C

Fixed pole clamp



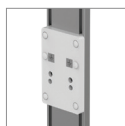
13

Adapter for Mindray medical supply units



17

Adapter for Amico pendants & headwalls



9

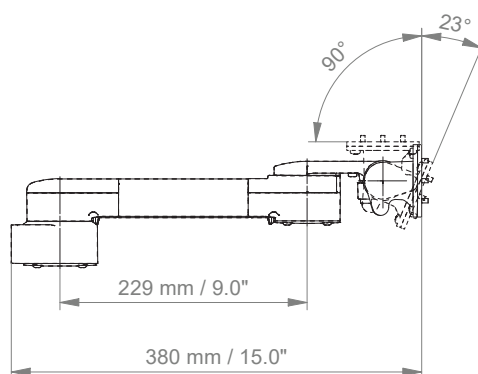
Adapter for Löwenstein Medical / ITD / mounting channel

# Support arm pivot

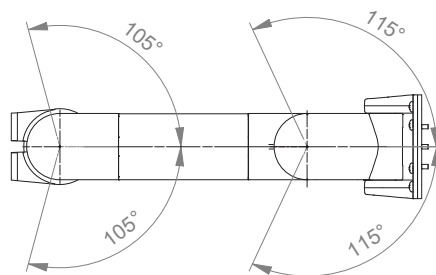
Technical data - arm type 300

---

SIDE VIEW

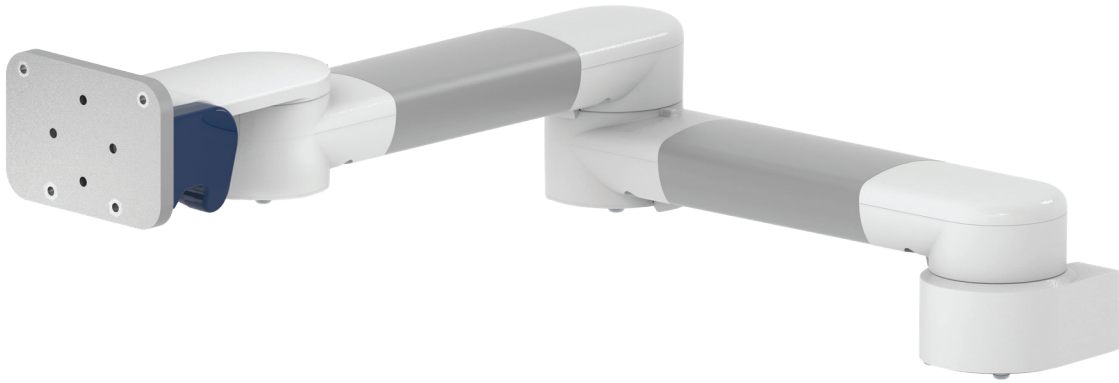


TOP VIEW



# Extended pivot arm light duty

**MD**



**Monitor adaption**

GE CARESCAPE ONE adaption

**Colours to choose** **CD**

Decorative parts RAL 5013 cobalt blue / RAL 7024 graphite grey  
 Aluminum parts RAL 9016 traffic white / RAL 9002 grey white

**Max. load capacity support arm**

8 kg / 17.6 lbs

**Max. load monitor adaptation**

8 kg / 17.6 lbs

**Product weight**

2.7 kg / 6.0 lbs

**Part number**

A-33030GE-**Y.CD**

**Fixings** **Y**

details page 37



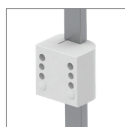
4S

Adapter for vertical wall channel



2F

Horizontal rail clamp



3

Vertical rail clamp



1V

Universal pole clamp



1  
1B  
1F  
1C

Fixed pole clamp



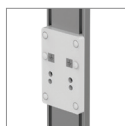
13

Adapter for Mindray medical supply units



17

Adapter for Amico pendants & headwalls



9

Adapter for Löwenstein Medical / ITD / mounting channel

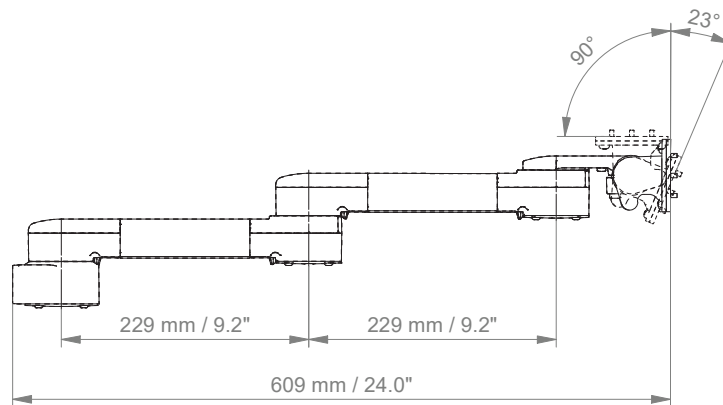


# Extended pivot arm light duty

## Technical data

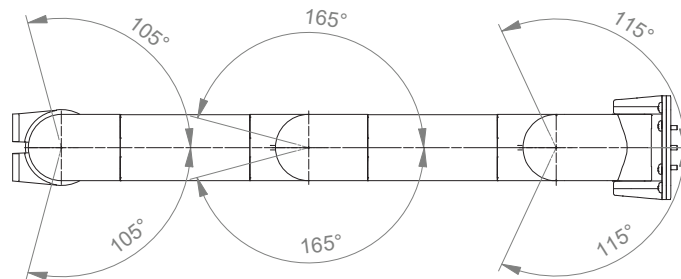
---

### SIDE VIEW

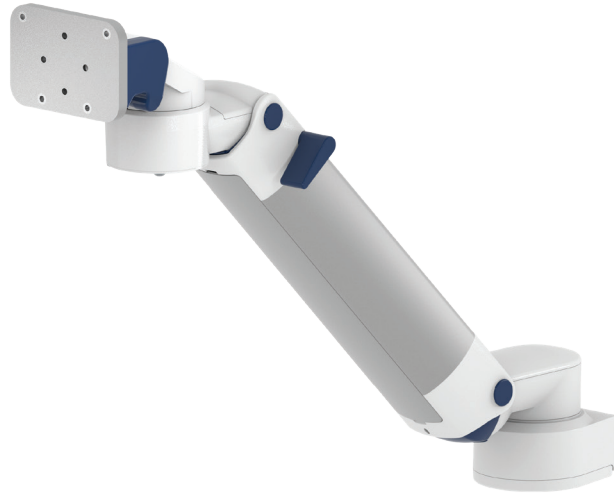


---

### TOP VIEW



# Height adjustable arm



<b>Monitor adaption</b>	GE CARESCAPE ONE adaption
<b>Height adjustment</b>	Slow-flowing spring, parallel linkage for a constant viewing angle
<b>Colours to choose</b> <b>CD</b>	Decorative parts RAL 5013 cobalt blue / RAL 7024 graphite grey Aluminum parts RAL 9016 traffic white / RAL 9002 grey white
<b>Max. load capacity support arm</b>	22 kg / 48.5 lbs
<b>Max. load monitor adaptation</b>	18 kg / 39.7 lbs
<b>Product weight</b>	3.7 kg / 8.2 lbs
<b>Balancing range</b>	600 N (2-5 kg / 4.4-11 lbs)
<b>Part number</b>	A-431GE-Y.CD_60

## Fixings Y

details page 37



4S

Adapter for vertical wall channel



2F

Horizontal rail clamp



3

Vertical rail clamp



1V

Universal pole clamp



1  
1B  
1F  
1C

Fixed pole clamp



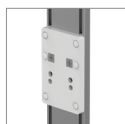
13

Adapter for Mindray medical supply units



17

Adapter for Amico pendants & headwalls



9

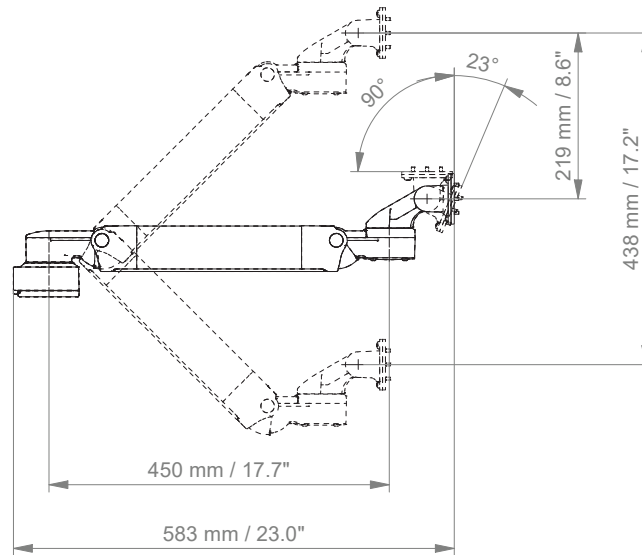
Adapter for Löwenstein Medical / ITD / mounting channel

# Height adjustable arm

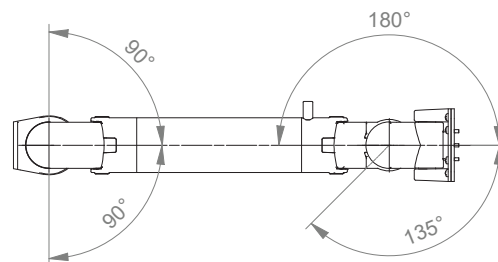
## Technical data

---

### SIDE VIEW



### TOP VIEW



# Extended height adjustable arm



<b>Monitor adaption</b>	GE CARESCAPE ONE adaption
<b>Height adjustment</b>	Slow-flowing spring, parallel linkage for a constant viewing angle
<b>Colours to choose</b> <b>CD</b>	Decorative parts RAL 5013 cobalt blue / RAL 7024 graphite grey Aluminum parts RAL 9016 traffic white / RAL 9002 grey white
<b>Max. load capacity support arm</b>	22 kg / 48.5 lbs
<b>Max. load monitor adaptation</b>	18 kg / 39.7 lbs
<b>Product weight</b>	4.8 kg / 10.6 lbs
<b>Balancing range</b>	600 N (2-5 kg / 4.4-11 lbs)
<b>Part number</b>	A-73130GE-Y.CD_60

## Fixings Y

details page 37



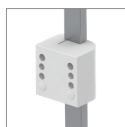
4S

Adapter for vertical wall channel



2F

Horizontal rail clamp



3

Vertical rail clamp



1V

Universal pole clamp



1  
1B  
1F  
1C

Fixed pole clamp



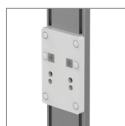
13

Adapter for Mindray medical supply units



17

Adapter for Amico pendants & headwalls



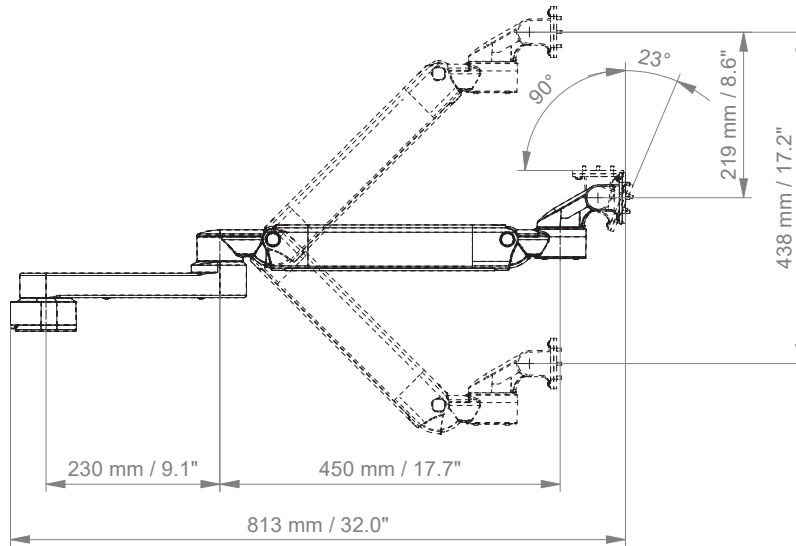
9

Adapter for Löwenstein Medical / ITD / mounting channel

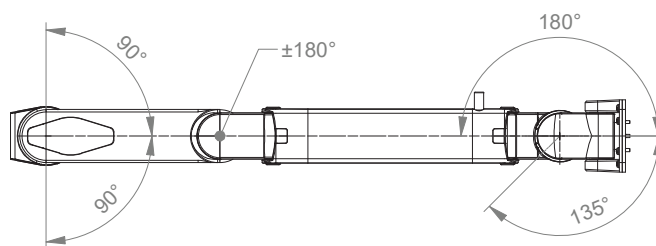
# Extended height adjustable arm

## Technical data

### SIDE VIEW



### TOP VIEW



# Counter top



**Monitor adaption**

GE CARESCAPE ONE adaption

**Colours to choose** CD

Decorative parts RAL 5013 cobalt blue / RAL 7024 graphite grey  
 Aluminum parts RAL 9016 traffic white / RAL 9002 grey white

**Max. load monitor adaptation**

18 kg / 39.7 lbs

**Part number**

Counter top with base plate to mount to desk or even surfaces

T-HGE-60.CD\_220 height 220 mm / 8.7"

Counter top free-standing (see illustration)

T-HGE-62.CD\_220 height 220 mm / 8.7"

Counter top without base plate

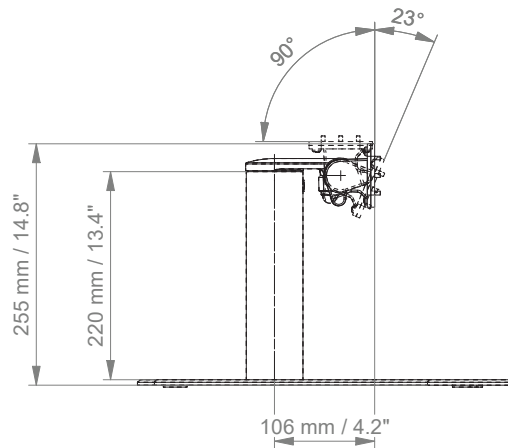
T-HGE-69.CD\_220 height 220 mm / 8.7"

**!** All free-standing counter tops have to be tip-tested for stability depending on the weight of the monitor!

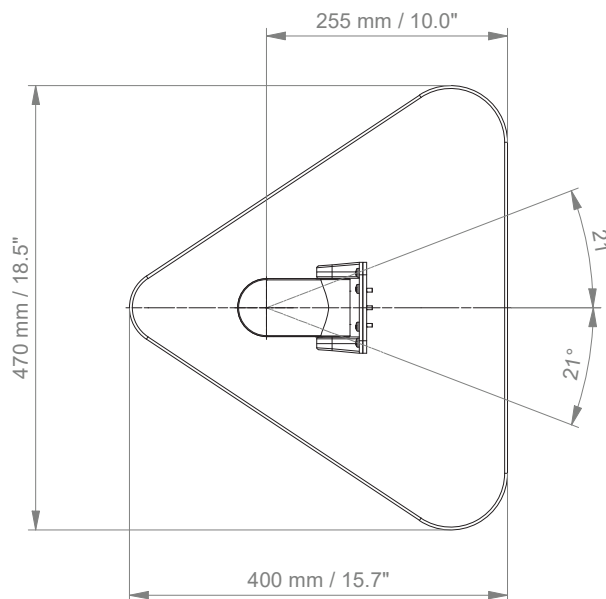
# Counter top

Technical data - free standing

SIDE VIEW

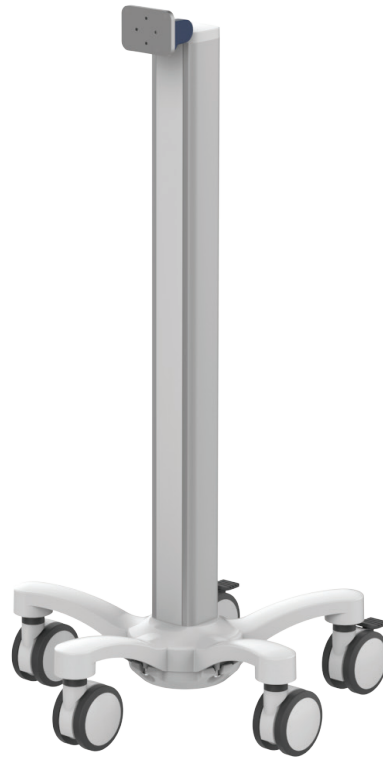


TOP VIEW



# Cart light duty

**MD**



<b>Monitor adaption</b>	GE CARESCAPE ONE adaption								
<b>Accessories</b>	5-star base aluminum base with counter weight double wheel castors, ø 100 mm / 3.9", 2 lockable column to accept components and accessories on opposite sides								
<b>Colours to choose <span style="color: green;">CD</span></b>	Decorative parts RAL 5013 cobalt blue / RAL 7024 graphite grey Base RAL 9016 traffic white / RAL 5013 cobalt blue Handle RAL 9016 traffic white / RAL 5013 cobalt blue / RAL 7024 graphite grey								
<b>Max. load capacity</b>	14 kg / 30.9 lbs								
<b>Optional accessories</b>	Basket big 300 x 200 x 180 mm / 11.8 x 7.9 x 7.1" Basket small 200 x 150 x 100 mm / 7.9 x 5.9 x 3.9" Handle								
<b>Part number</b>	<table border="0"> <tr> <td>Cart</td> <td>R-002GE.<span style="color: green;">CD</span></td> </tr> <tr> <td>Basket big</td> <td>Z-51-4Z.1</td> </tr> <tr> <td>Basket small</td> <td>Z-52-4Z.1</td> </tr> <tr> <td>Handle</td> <td>Z-HD-4.<span style="color: green;">C1</span></td> </tr> </table>	Cart	R-002GE. <span style="color: green;">CD</span>	Basket big	Z-51-4Z.1	Basket small	Z-52-4Z.1	Handle	Z-HD-4. <span style="color: green;">C1</span>
Cart	R-002GE. <span style="color: green;">CD</span>								
Basket big	Z-51-4Z.1								
Basket small	Z-52-4Z.1								
Handle	Z-HD-4. <span style="color: green;">C1</span>								

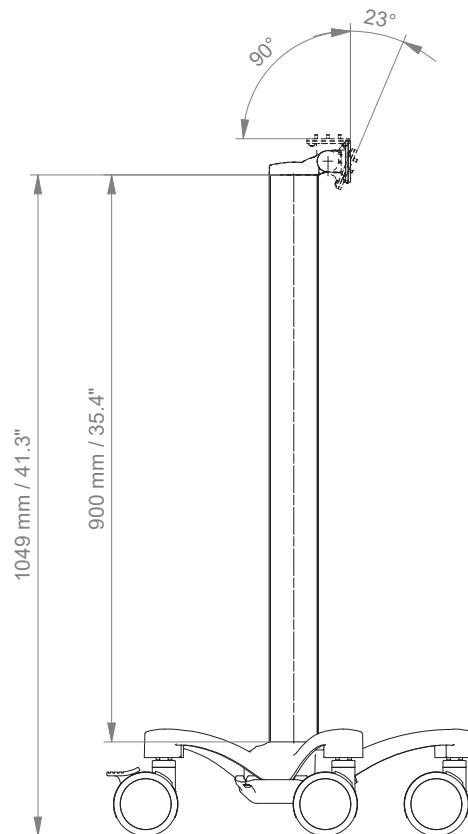


# Cart light duty

## Technical data

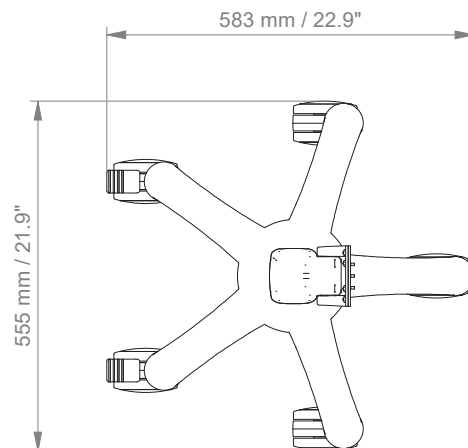
---

### SIDE VIEW



---

### TOP VIEW



## Accessories for CARESCAPE ONE

Illustration	Description	Notes	Part no.	
	<b>Down post, rotatable with cable hook and GE Carescape ONE adaption</b>	For non-height adjustable arms: L 300 mm / 11.8", max. load 10 kg / 22 lbs  For height adjustable arms: L 300 mm / 11.8", max. load 10 kg / 22 lbs	Z-DPR-GE-70.C1_300  Z-DPR-GE-71.C1_300	
	<b>Down post, rotatable with cable hook</b>	For non-height adjustable arms: L 300 mm / 11.8", max. load 10 kg / 22 lbs  For height adjustable arms: L 300 mm / 11.8", max. load 10 kg / 22 lbs	Z-KH6-70.1_300  Z-KH6-71.1_300	
	<b>Adapter for CARESCAPE ONE</b>	Mounting to down post	Z-GE-1.1	









# Solutions for CARESCAPE B105 / B125 / B450 / B650

Above monitors require a 5" plunge plate presentation. Please refer to the mounting reference guide: 5" plunge plate adaption.

Illustration shown with CARESCAPE B650	Description	Part no.
	Support arm pivot	A-224A-Y.CD A-230A-Y.CD
	Extended pivot arm light duty	A-33030A-Y.CD
	Extended pivot arm heavy duty	A-H33030A-Y.CD
	Height adjustable arm	A-431A-Y.CD
	Extended height adjustable arm	A-73130A-Y.CD
	Counter top	T-HA-60.CD_50 T-HA-60.CD_120 T-HA-69.CD_50 T-HA-69.CD_120
	Cart light duty	R-002A.CD









# Mounting adapter

Adapter plates are intended for CIM products only and are not sold separately unless approved by CIM med.

Illustration	Description	Part no.	
	<p><b>Adapter plate 5" for Frame F2 / F5 / Canvas</b> Used only in combination with 5" plunge plate solutions.</p>	GE-AP-F5/TR	
	<p><b>Adapter plate 5" for GE B105M / B125M / B155M and GE B105 / B125</b> Used only in combination with 5" plunge plate solutions.</p>	GE-AP-B105/125	
	<p><b>Adapter plate for GE Dinamap V100 / Procure</b></p>	GE-AP-PR1	
	<p><b>Adapter plate for GE Carescape VC150</b></p>	GE-AP-VC	

## Fixings Y



Illustration	Description	Notes	Weight	Part no.
	Adapter for vertical wall channel	To mount to CIM wall channel (compatible with GCX channel) Please order separately: CIM wall channel, see catalogue accessoires	0.6 kg / 1.3 lbs	4S
	Horizontal rail clamp	To mount to horizontal European rails 10 x 25, 8 x 35, 10 x 30, 10 x 50 mm	1.1 kg / 2.4 lbs	2F
	Vertical rail clamp	To mount to vertical European rail 10 x 25 mm	0.5 kg / 1.1 lbs	3
	Universal pole clamp	V-block to mount to pole $\varnothing$ 23 - 40 mm / 0.9 - 1.6"	0.6 kg / 1.3 lbs	1V
	Fixed pole clamp	To mount to pole $\varnothing$ 25 mm / 1.0" To mount to pole $\varnothing$ 30 mm / 1.2" To mount to pole $\varnothing$ 35 mm / 1.4" To mount to pole $\varnothing$ 38 mm / 1.5"	0.3 kg / 0.7 lbs 0.4 kg / 0.9 lbs 0.4 kg / 0.9 lbs 0.4 kg / 0.9 lbs	1 1B 1F 1C
	Adapter medical supply units	For Mindray medical supply units	0.8 kg / 1.8 lbs	13
	Adapter pendants & headwalls	For Amico pendants & headwalls	0.6 kg / 1.3 lbs	17
	Adapter pendants & headwalls	For Löwenstein Medical / ITD / mounting channels	0.4 kg / 0.9 lbs	9



**CIM med GmbH**

Euro-Industriepark  
Margot-Kalinke-Str. 9  
80939 Munich / Germany

T +49 89. 978 94 08-0

---

**CIM med Inc.**

2024 E Independence Commerce Dr  
Matthews, NC 28105 / USA

T +1 855 895 4722

---

[info@cim-med.com](mailto:info@cim-med.com)

[www.cim-med.com](http://www.cim-med.com)

